

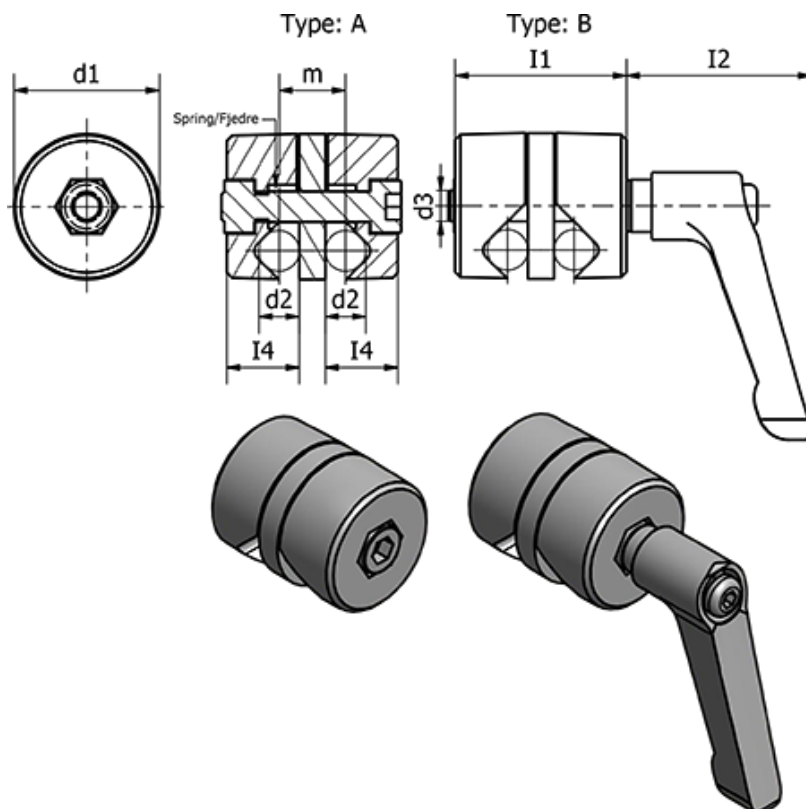
Data Sheet



Article number: 204904616BSW

Description: E+G Clamp mounting - GN 490-46-16-B-SW

Measures



$d_1 = 46$

$d_2 = 16$

$d_3 = M10$

$I_1 = 57$

$I_2 = 55$

$I_3 = 78$

$I_4 = 27$

$I_5 = 6$

$m = 22$

Weight (g) = 354